

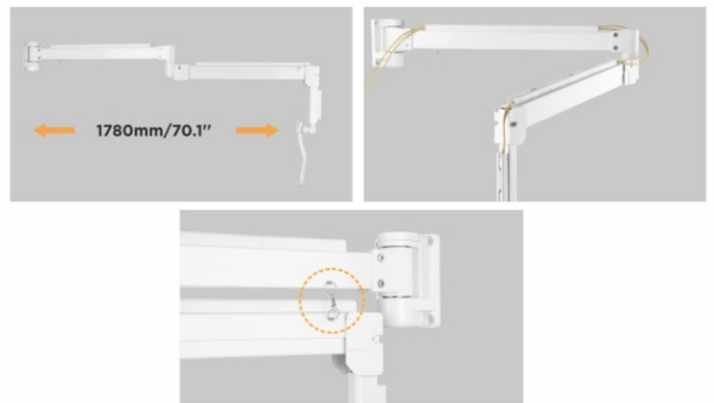
INFOTAINMENT SYSTEM – EXTENDED REACH ARTICULATED ARM

The patients' All-in-One is attached to a fully flexible articulated wall-mounted gas spring arm giving the patients full control of the location and orientation of the system with comfort.

The counter-balance gas spring mechanism in the arm provides effortless movement bringing the All-in-One in front of the patient and the easy-grip handle makes pivoting, tilting or rotating the screen possible .

The combination of the gas-spring arm and easy-grip handle make the proper placement of the All-in-One unit in front of the patient a snap.

The arm comes with integrated cable management and folding lockable mechanism to create more workspace efficiency and better look.


Technical Specifications:

Weight	9500 g		
Dimensions	175 x 1890 x 840 mm (Full Extension: 1780 mm)		
Raw Material	Steel, Aluminum, Plastic		
Color	White		
VESA Compatible Size	75 x 75 mm, 100 x 100 mm		
Max. Weight Capacity	8 Kg		
Screen Movement	Tilt: 0~90°	Swivel: ±180°	Rotation: ±180 °
Screen Size Compatibility	17 “ ~ 32”		
Mounting	Surface Wall Mounted		